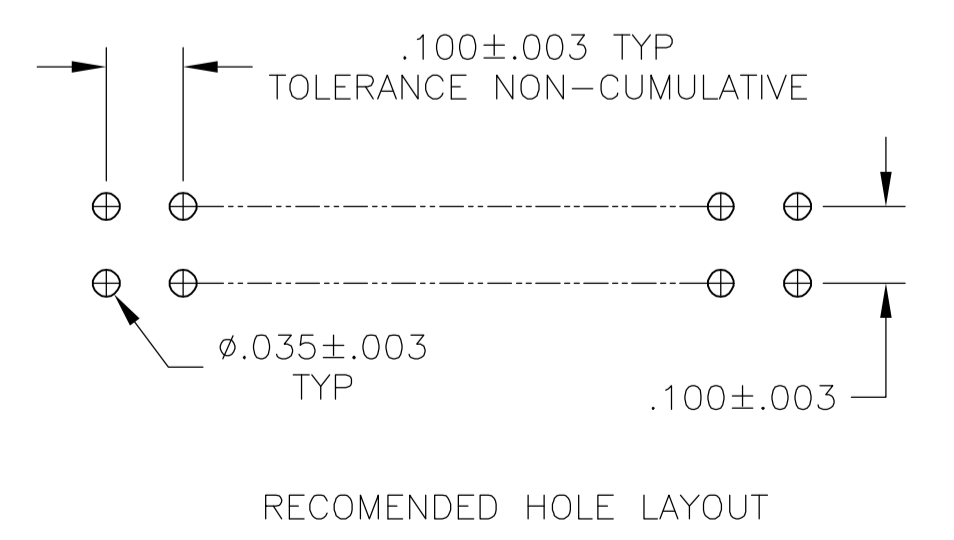
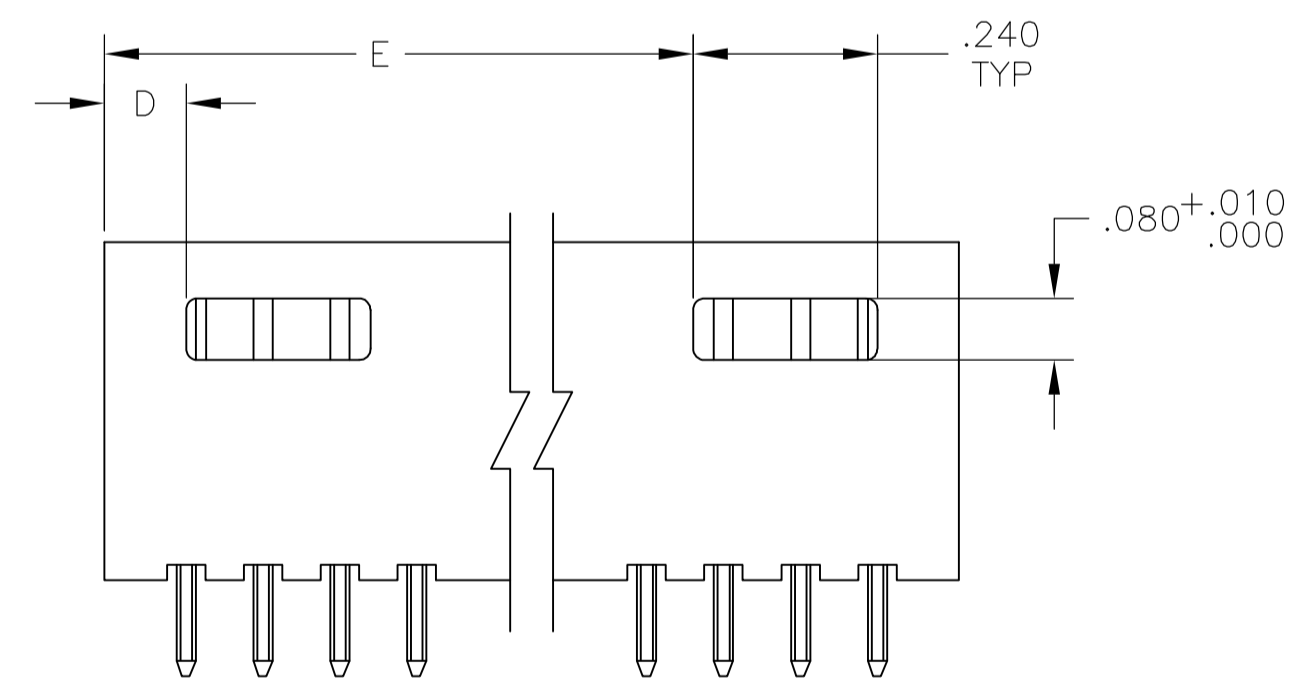
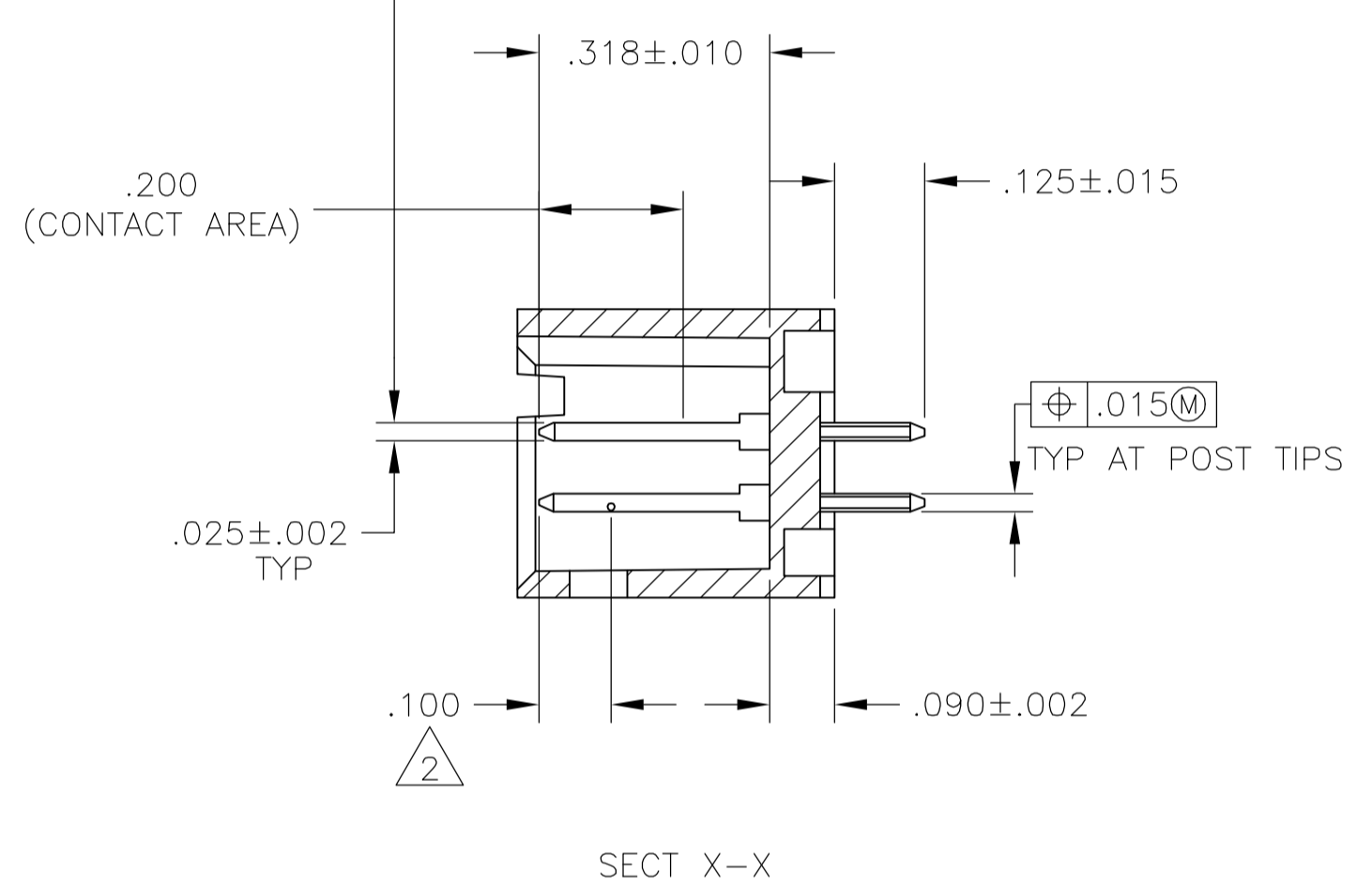
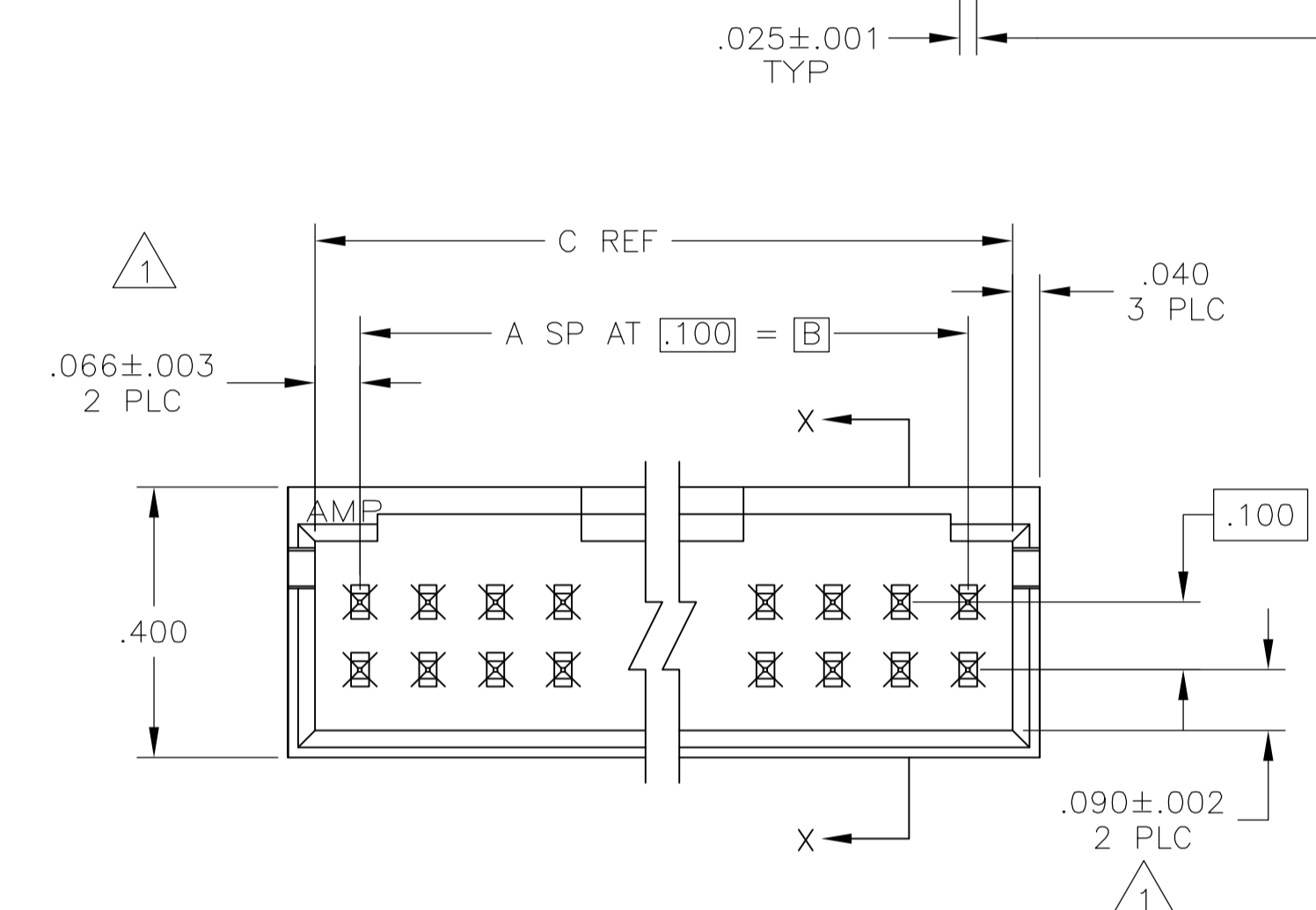
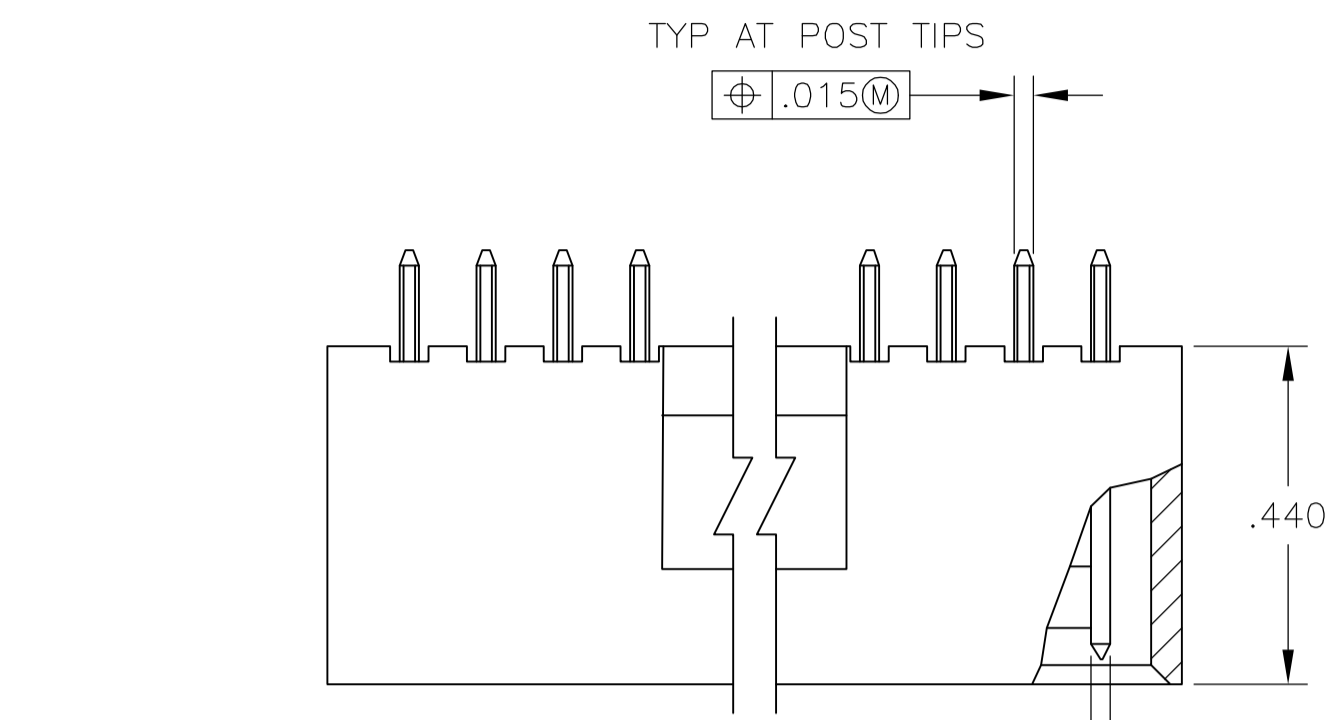


- 1 THE NOTED DIMENSIONS APPLY AT THE INTERSECTION OF THE POST AND HOUSING
- 2 POINT OF MEASUREMENT FOR PLATING THICKNESS
- 3 FINISH: POSTS: .000015 GOLD IN CONTACT AREA, .000100-.000200 MATTE TIN-LEAD ON SOLDER TAIL, ALL OVER .000050 NICKEL
- 4 FINISH: POSTS: .000015 GOLD IN CONTACT AREA, .000100-.000200 MATTE TIN ON SOLDER TAIL, ALL OVER .000050 NICKEL
- 5 MATERIALS: HOUSING- FLAME RETARDANT THERMOPLASTIC, COLOR-BLACK
 POSTS- PHOS BRONZE



| PLATING | E | D | C | B | A | NO. OF POSN | ASSEMBLY PART NUMBER |
|---------|-------|------|-------|-------|----|-------------|----------------------|
| △ | 3.506 | .106 | 3.732 | 3.600 | 36 | 74 | 8-102618-5 |
| △ | 3.406 | .106 | 3.632 | 3.500 | 35 | 72 | 8-102618-4 |
| △ | 3.306 | .106 | 3.532 | 3.400 | 34 | 70 | 8-102618-3 |
| △ | 3.206 | .106 | 3.432 | 3.300 | 33 | 68 | 8-102618-2 |
| △ | 3.106 | .106 | 3.332 | 3.200 | 32 | 66 | 8-102618-1 |
| △ | 3.006 | .106 | 3.232 | 3.100 | 31 | 64 | 8-102618-0 |
| △ | 2.906 | .106 | 3.132 | 3.000 | 30 | 62 | 7-102618-9 |
| △ | 2.806 | .106 | 3.032 | 2.900 | 29 | 60 | 7-102618-8 |
| △ | 2.706 | .106 | 2.932 | 2.800 | 28 | 58 | 7-102618-7 |
| △ | 2.606 | .106 | 2.832 | 2.700 | 27 | 56 | 7-102618-6 |
| △ | 2.506 | .106 | 2.732 | 2.600 | 26 | 54 | 7-102618-5 |
| △ | 2.406 | .106 | 2.632 | 2.500 | 25 | 52 | 7-102618-4 |
| △ | 2.306 | .106 | 2.532 | 2.400 | 24 | 50 | 7-102618-3 |
| △ | 2.206 | .106 | 2.432 | 2.300 | 23 | 48 | 7-102618-2 |
| △ | 2.106 | .106 | 2.332 | 2.200 | 22 | 46 | 7-102618-1 |
| △ | 2.006 | .106 | 2.232 | 2.100 | 21 | 44 | 7-102618-0 |
| △ | 1.906 | .106 | 2.132 | 2.000 | 20 | 42 | 6-102618-9 |
| △ | 1.806 | .106 | 2.032 | 1.900 | 19 | 40 | 6-102618-8 |
| △ | 1.706 | .106 | 1.932 | 1.800 | 18 | 38 | 6-102618-7 |
| △ | 1.606 | .106 | 1.832 | 1.700 | 17 | 36 | 6-102618-6 |
| △ | 1.506 | .106 | 1.732 | 1.600 | 16 | 34 | 6-102618-5 |
| △ | 1.406 | .106 | 1.632 | 1.500 | 15 | 32 | 6-102618-4 |
| △ | 1.306 | .106 | 1.532 | 1.400 | 14 | 30 | 6-102618-3 |
| △ | 1.206 | .106 | 1.432 | 1.300 | 13 | 28 | 6-102618-2 |
| △ | 1.106 | .106 | 1.332 | 1.200 | 12 | 26 | 6-102618-1 |
| △ | 1.006 | .106 | 1.232 | 1.100 | 11 | 24 | 6-102618-0 |
| △ | .906 | .106 | 1.132 | 1.000 | 10 | 22 | 5-102618-9 |
| △ | .806 | .106 | 1.032 | .900 | 9 | 20 | 5-102618-8 |
| △ | — | .406 | .932 | .800 | 8 | 18 | 5-102618-7 |
| △ | — | .306 | .832 | .700 | 7 | 16 | 5-102618-6 |
| △ | — | .306 | .732 | .600 | 6 | 14 | 5-102618-5 |
| △ | — | .206 | .632 | .500 | 5 | 12 | 5-102618-4 |
| △ | — | .206 | .532 | .400 | 4 | 10 | 5-102618-3 |
| △ | — | .106 | .432 | .300 | 3 | 8 | 5-102618-2 |
| △ | — | .106 | .332 | .200 | 2 | 6 | 5-102618-1 |
| △ | 3.506 | .106 | 3.732 | 3.600 | 36 | 74 | 3-102618-5 |
| △ | 3.406 | .106 | 3.632 | 3.500 | 35 | 72 | 3-102618-4 |
| △ | 3.306 | .106 | 3.532 | 3.400 | 34 | 70 | 3-102618-3 |
| △ | 3.206 | .106 | 3.432 | 3.300 | 33 | 68 | 3-102618-2 |
| △ | 3.106 | .106 | 3.332 | 3.200 | 32 | 66 | 3-102618-1 |
| △ | 3.006 | .106 | 3.232 | 3.100 | 31 | 64 | 3-102618-0 |
| △ | 2.906 | .106 | 3.132 | 3.000 | 30 | 62 | 2-102618-9 |
| △ | 2.806 | .106 | 3.032 | 2.900 | 29 | 60 | 2-102618-8 |
| △ | 2.706 | .106 | 2.932 | 2.800 | 28 | 58 | 2-102618-7 |
| △ | 2.606 | .106 | 2.832 | 2.700 | 27 | 56 | 2-102618-6 |
| △ | 2.506 | .106 | 2.732 | 2.600 | 26 | 54 | 2-102618-5 |
| △ | 2.406 | .106 | 2.632 | 2.500 | 25 | 52 | 2-102618-4 |
| △ | 2.306 | .106 | 2.532 | 2.400 | 24 | 50 | 2-102618-3 |
| △ | 2.206 | .106 | 2.432 | 2.300 | 23 | 48 | 2-102618-2 |
| △ | 2.106 | .106 | 2.332 | 2.200 | 22 | 46 | 2-102618-1 |
| △ | 2.006 | .106 | 2.232 | 2.100 | 21 | 44 | 2-102618-0 |
| △ | 1.906 | .106 | 2.132 | 2.000 | 20 | 42 | 1-102618-9 |
| △ | 1.806 | .106 | 2.032 | 1.900 | 19 | 40 | 1-102618-8 |
| △ | 1.706 | .106 | 1.932 | 1.800 | 18 | 38 | 1-102618-7 |
| △ | 1.606 | .106 | 1.832 | 1.700 | 17 | 36 | 1-102618-6 |
| △ | 1.506 | .106 | 1.732 | 1.600 | 16 | 34 | 1-102618-5 |
| △ | 1.406 | .106 | 1.632 | 1.500 | 15 | 32 | 1-102618-4 |
| △ | 1.306 | .106 | 1.532 | 1.400 | 14 | 30 | 1-102618-3 |
| △ | 1.206 | .106 | 1.432 | 1.300 | 13 | 28 | 1-102618-2 |
| △ | 1.106 | .106 | 1.332 | 1.200 | 12 | 26 | 1-102618-1 |
| △ | 1.006 | .106 | 1.232 | 1.100 | 11 | 24 | 1-102618-0 |
| △ | .906 | .106 | 1.132 | 1.000 | 10 | 22 | 102618-9 |
| △ | .806 | .106 | 1.032 | .900 | 9 | 20 | 102618-8 |
| △ | — | .406 | .932 | .800 | 8 | 18 | 102618-7 |
| △ | — | .306 | .832 | .700 | 7 | 16 | 102618-6 |
| △ | — | .306 | .732 | .600 | 6 | 14 | 102618-5 |
| △ | — | .206 | .632 | .500 | 5 | 12 | 102618-4 |
| △ | — | .206 | .532 | .400 | 4 | 10 | 102618-3 |
| △ | — | .106 | .432 | .300 | 3 | 8 | 102618-2 |
| △ | — | .106 | .332 | .200 | 2 | 6 | 102618-1 |

THIS DRAWING IS A CONTROLLED DOCUMENT.

| | | | | | | |
|--------------------|--|-------------------|---------------------|---------------------|------------|---|
| DIMENSIONS: INCHES | TOLERANCES UNLESS OTHERWISE SPECIFIED: | DIN H MOLL 4-9-87 | CHK LA MAYER 4-9-87 | APVD R FEJDT 4-9-87 | NAME | TYCO ELECTRONICS CORPORATION Harrisburg, Pa 17105-3608 |
| 0 PLC ± - | 1 PLC ± - | 2 PLC ± - | 3 PLC ± - | 4 PLC ± - | ANGLES ± - | FINISH SEE TABLE |
| MATERIAL | FINISH | WEIGHT | SIZE | CODE | DRAWING NO | RESTRICTED TO |
| △ 5 | SEE TABLE | — | A1 | 00779 | 102618 | — |
| CUSTOMER DRAWING | | SCALE | SHEET | | REV | |
| | | 4:1 | 1 OF 1 | | | |

APPLICATION SPEC: HDR ASSY, MOD II, SHROUDED, 4 SIDES, DBL ROW, VERTICAL, .100X.100 C/L, WITH .025 SQ POSTS